

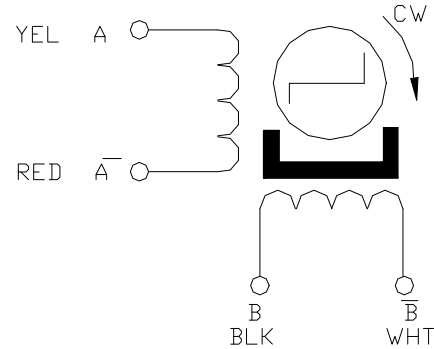
# TGM28-056-19-12V-004A-64R-LW4



- Permanent Magnet Stepper Gearmotor
- High Torque in a Small Package at a Low Cost
- 300 g-cm of Torque
- 64:1 Gear Ratio
- 28mm Diameter
- 100 Piece Minimum Order Requirement

## Specifications

| Item                  | Specifications           |
|-----------------------|--------------------------|
| Step Angle Accuracy   | ±7% (Full Step, No Load) |
| Resistance Accuracy   | ±10%                     |
| Inductance Accuracy   | ±20%                     |
| Temperature Rise      | 80° C Max                |
| Ambient Temperature   | -20°C to +50°C           |
| Insulation Resistance | 100MΩ Min. ,500VDC       |
| Dielectric Strength   | 500VAC For One Minute    |



| Model                         | Step Angle (deg) | Gear Ratio | # of Wires | Voltage (V) | Current per Phase (A) | Holding Torque (g.cm) | Detent Torque (g.cm) |
|-------------------------------|------------------|------------|------------|-------------|-----------------------|-----------------------|----------------------|
| TGM28-056-19-12V-004A-64R-LW4 | 5.625            | 64:1       | 4          | 12          | 0.04                  | 300                   | 200                  |

